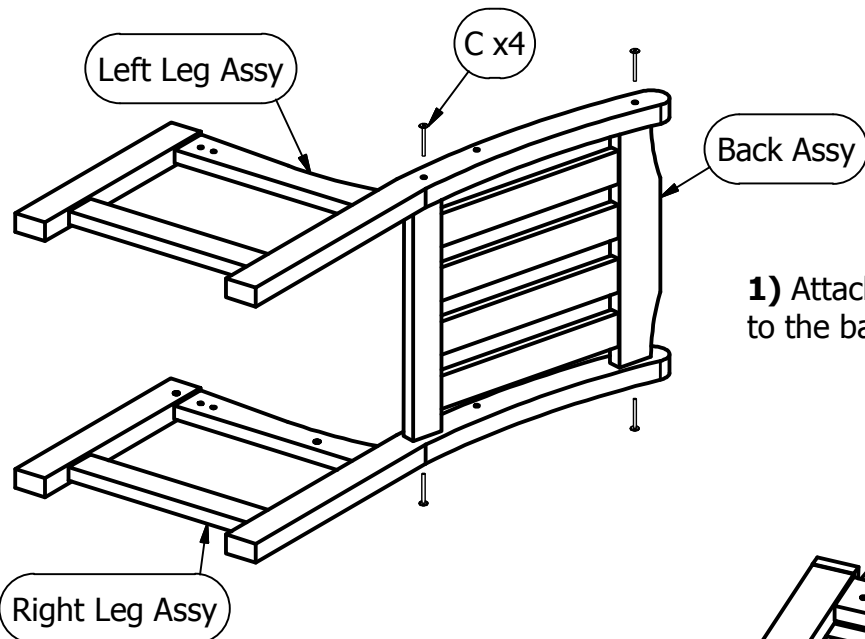
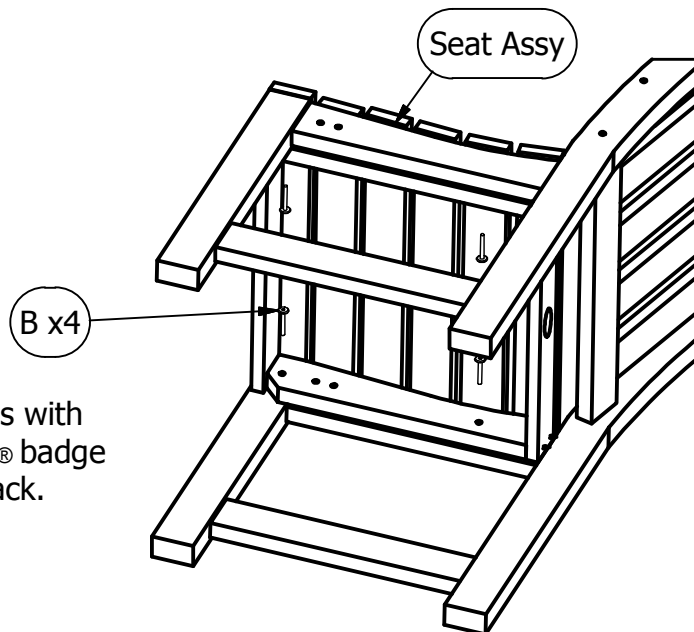


# Lehigh Collection Dining Chair with Arms

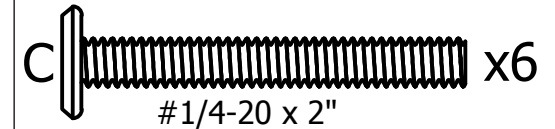
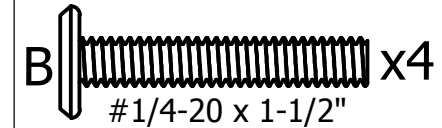
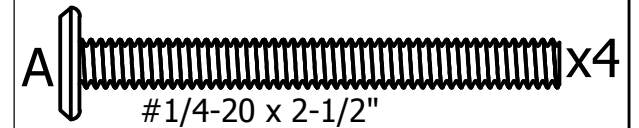
## Assembly Guide



2) Attach the seat to the legs with (4) "B" bolts. The Highwood® badge should be visible from the back.



### HARDWARE

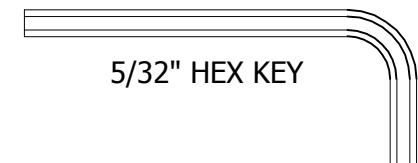


### IMPORTANT!

DO NOT fully tighten the bolts until all bolts are started. Once all bolts are inserted, go back & tighten all the bolts.

Retain these instructions for future reference

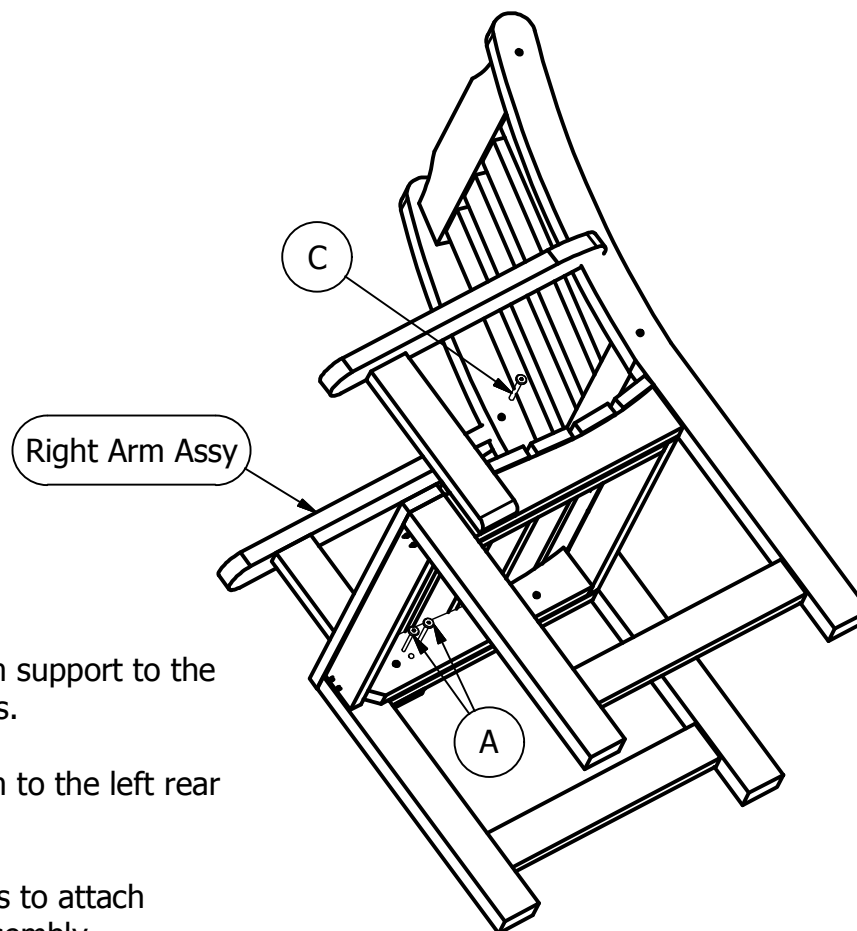
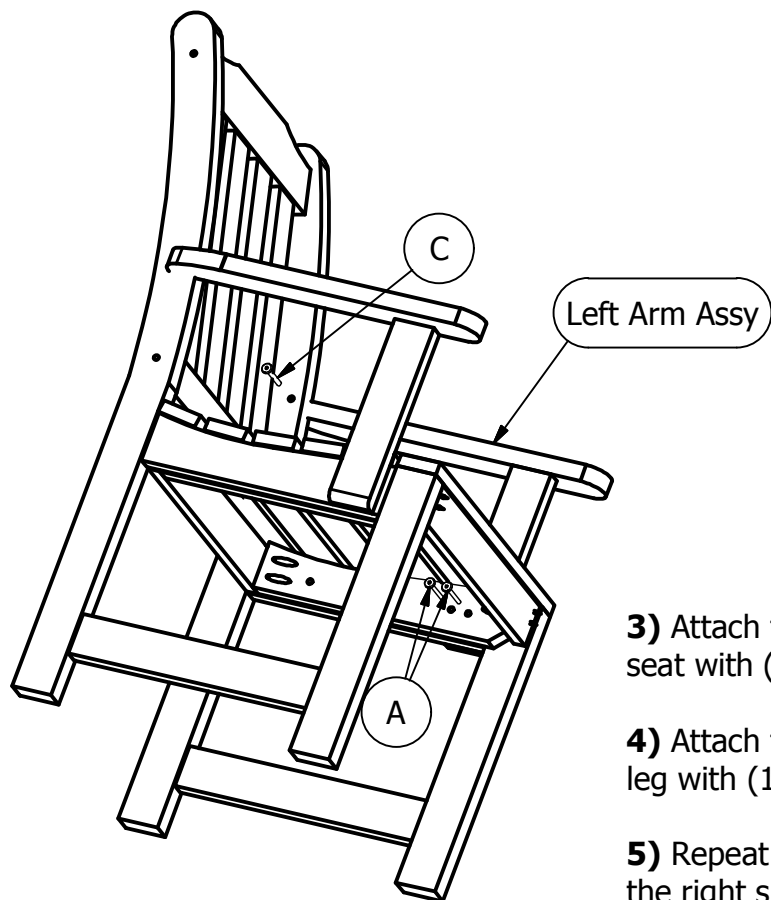
### INCLUDED TOOLS



## Lehigh Collection

# Dining Chair with Arms

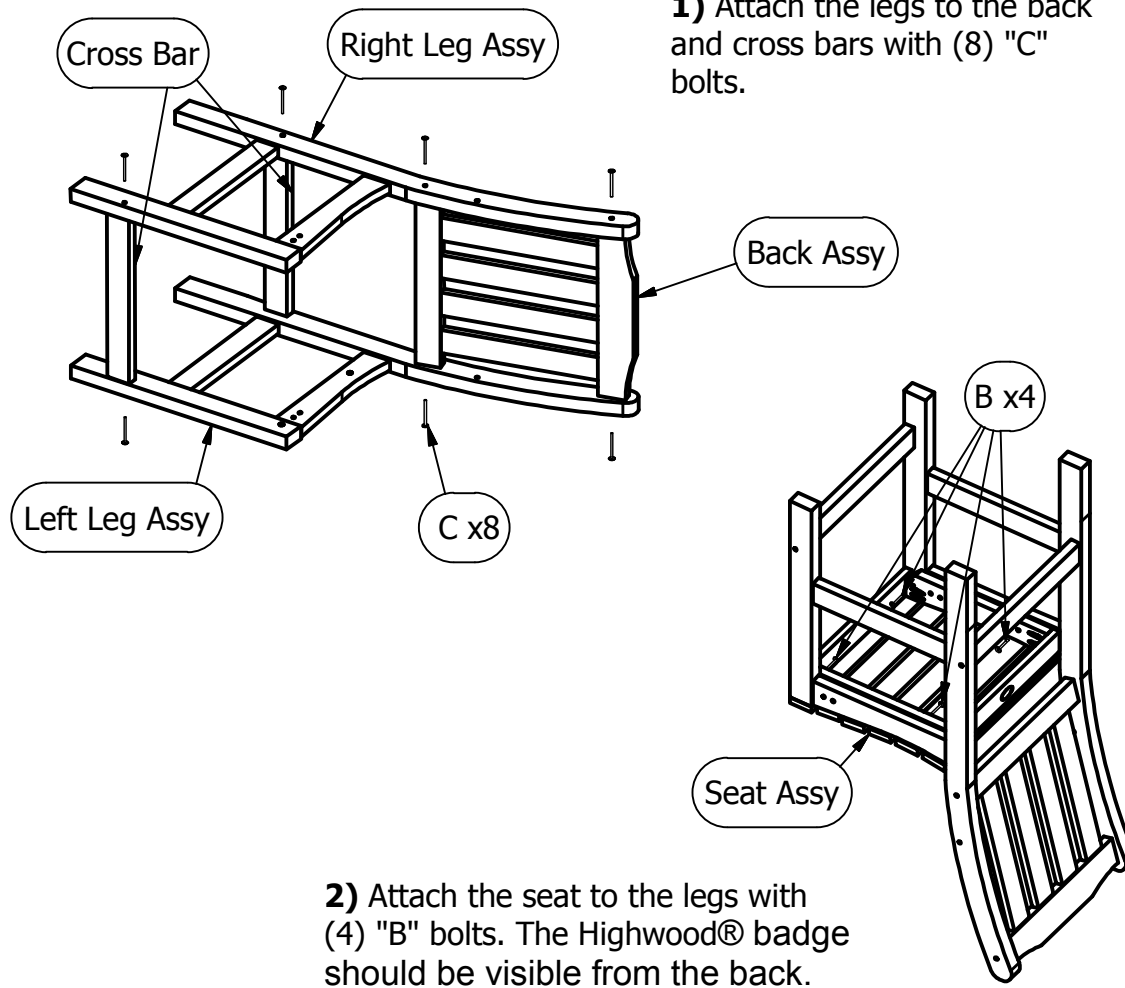
## Assembly Guide



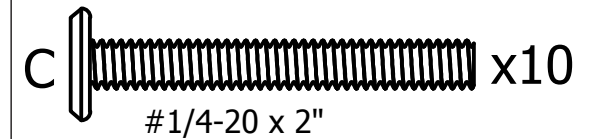
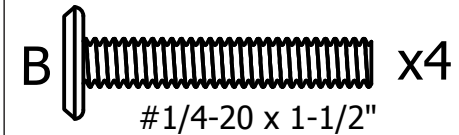
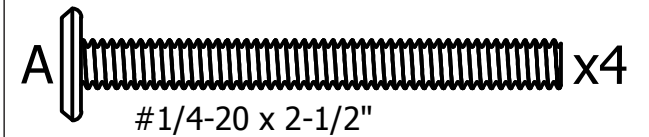
- 3)** Attach the left arm support to the seat with (2) "A" bolts.
- 4)** Attach the left arm to the left rear leg with (1) "C" bolt.
- 5)** Repeat these steps to attach the right side arm assembly.
- 6)** Tighten all bolts.

# Lehigh Collection Counter Chair with Arms

## Assembly Guide



### HARDWARE

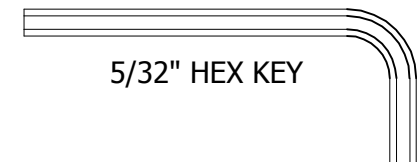


### **IMPORTANT!**

**DO NOT** fully tighten the bolts until all bolts are started. Once all bolts are inserted, go back & tighten all the bolts.

Retain these instructions for future reference

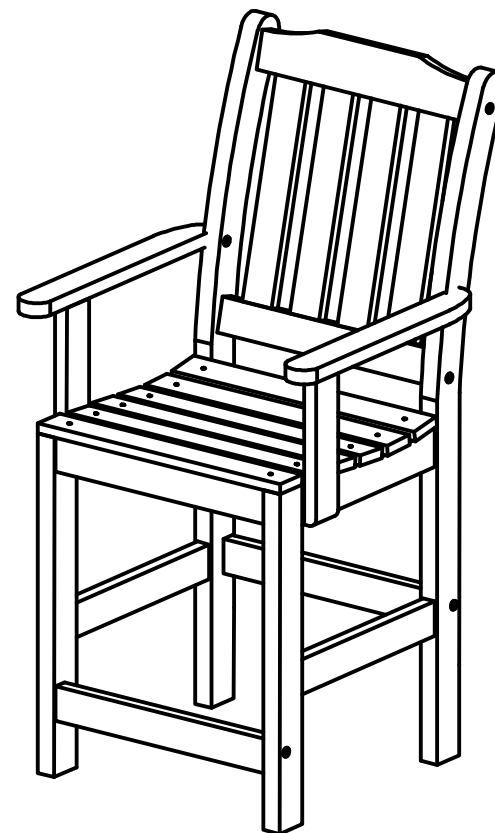
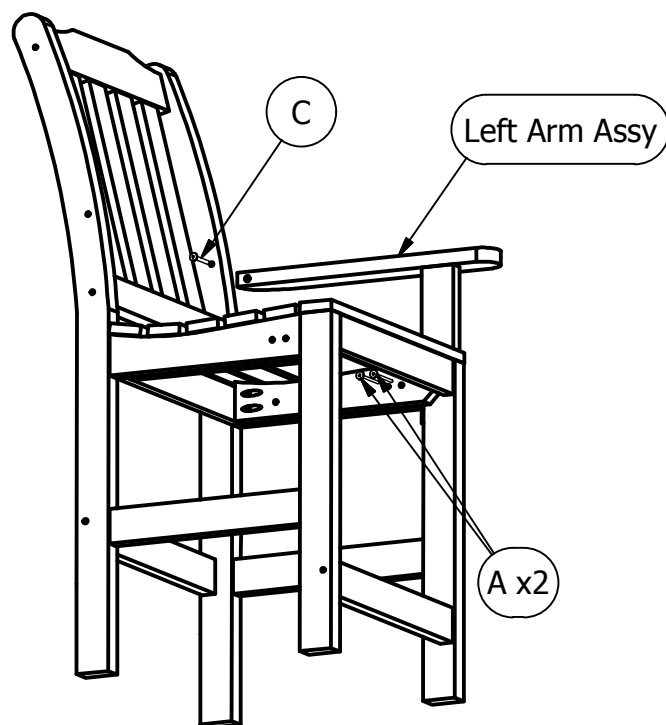
### INCLUDED TOOLS



LehighCollection

# Counter Chair with Arms

## Assembly Guide



- 3) Attach the left arm to the left leg with (1) "C" bolt.
- 4) Attach the left arm support to the seat with (2) "A" bolts.
- 5) Repeat on the other side.
- 6) Tighten all bolts using supplied hex key.